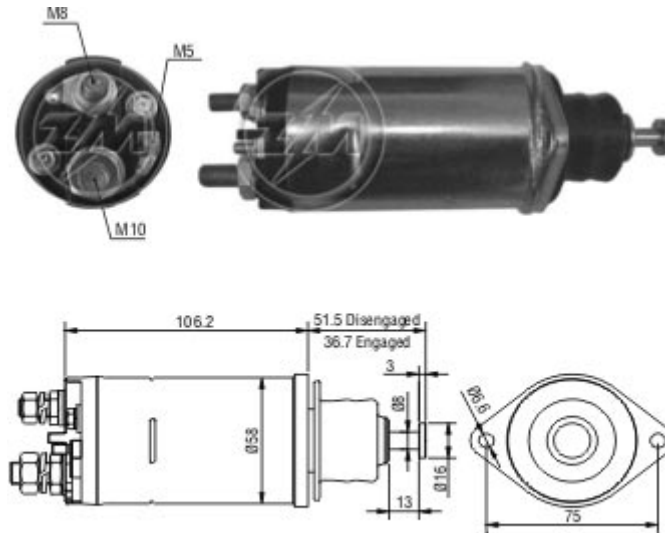




Tecnologia para um mundo sempre em movimento.

Relay Starting ZM 810 24v



Note: Silver contact brazed on contact bolts.
Nota: Pastilha de prata soldada nos parafusos de contato.

Used on:

| Car Maker: | Vehicle: | Model variation: | From: | To: |
|------------|---------------------------|---|-------|-----|
| DELCO REMY | 28MT Starter Motor Series | | | |
| | Motores de partida 28MT | | | |
| Car Maker: | Vehicle: | Model variation: | From: | To: |
| FIATALLIS | Fiat Allis | com motor Cummins 6BT5.9 e embreagem hidráulica | | |
| | Grader | PG140 com motor Ford 7.5 litros GMA | | |
| | Grader | PG160 com motor Ford 7.5 litros GMA | | |

Original Code: DELCO REMY

- 10457116
- 10483810
- 10483811

Starter Code: CNH

- 75259789
- 75323042
- 75323045

CUMMINS

- 3282731

- 3918377
- 3918378

DELCO REMY

- 10479605
- 10479612
- 10479623
- 10479629
- 10479652
- 10479654
- 10479655
- 1113277
- 1113291
- 8200064

MERCEDES-BENZ

- A 0 051 518 501

Rua Cerâmica Reis, 800 - Brusque - SC - Brasil - CEP 88355-370
Fone: 55 47 3251-2900 - Fax: 55 47 3251-2980 - www.zm.com.br
Insc. Est. 250.976.790 - CNPJ 76.812.379/0001-04

