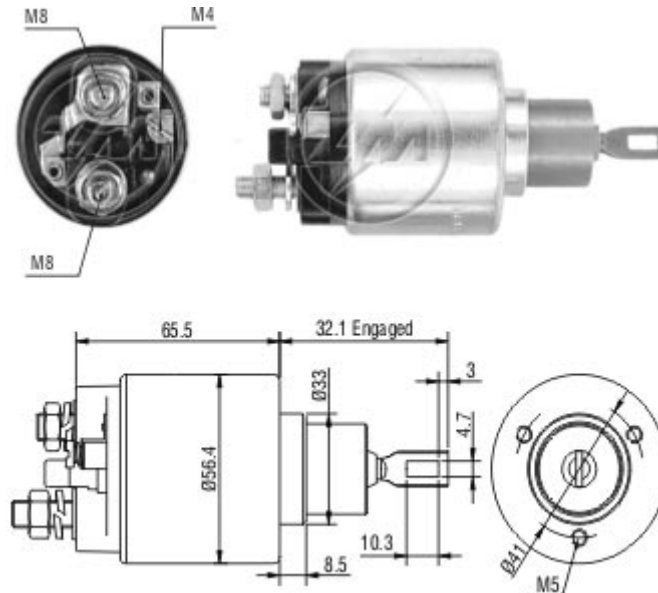




Relay Starting ZM 778 12v - CAP ZM 778.91



Used on:

| Car Maker: | Vehicle: | Model variation: | From: | To: |
|------------|----------|------------------------------------|-------|------|
| ALFA ROMEO | Alfa 75 | 2.5 V6 CAT with AR 01648 engine | 1987 | 1992 |
| | Alfa 75 | 2.5 V6 with AR 01646 engine | 1985 | 1986 |
| | Alfa 75 | 2.5 V6 with AR 01911 engine | 1986 | 1989 |
| | Alfa 75 | 3.0 V6 CAT with AR 06124 engine | 1987 | 1992 |
| | Alfa 75 | 3.0 V6 with AR 06120 engine | 1987 | 1990 |
| | Alfa 75 | 3.0 V6 with AR 61503 engine | 1990 | 1992 |
| | Alfa 90 | 2.0i.e. with AR 06210 engine | 1984 | 1987 |
| | Alfa 90 | 2.5i.e. V6 with AR 01646 engine | 1984 | 1987 |
| | Alfa 90 | 2.5i.e. V6 with AR 01911 engine | 1984 | 1987 |
| | GTV | 6 2.5 with AR 01646 engine | 1980 | 1987 |
| | RZ | 3.0 V6 Zagato with AR 61501 engine | 1992 | 1994 |
| | SZ | 3.0 V6 Zagato with AR 61501 engine | 1988 | 1994 |

Original Code:

BOSCH

- 0.331.303.115
- 2.339.303.261

Starter Code:

BOSCH

- 0.001.110.039
- 0.001.110.053
- 0.001.110.113

Rua Cerâmica Reis, 800 - Brusque - SC - Brasil - CEP 88355-370
Fone: 55 47 3251-2900 - Fax: 55 47 3251-2980 - www.zm.com.br
Insc. Est. 250.976.790 - CNPJ 76.812.379/0001-04

