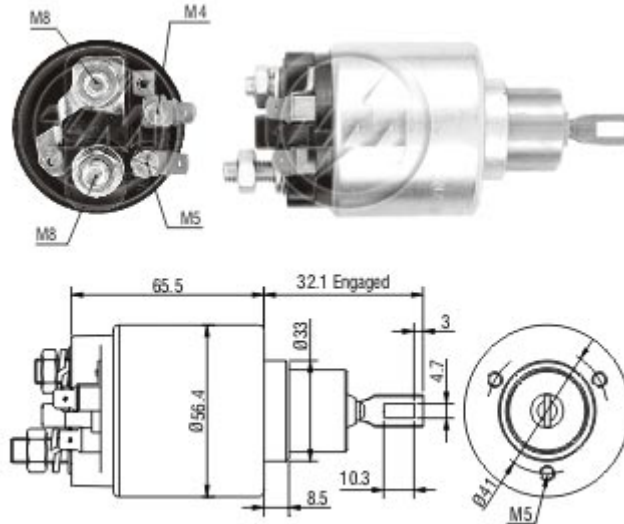




Tecnologia para um mundo sempre em movimento.

## Relay Starting ZM 580 12v - CAP ZM 580.91



Note: Similar to ZM 571 with male spade terminal.  
Nota: Similar ao ZM 571 com terminal espada.

### Used on:

Car Maker:	Vehicle:	Model variation:	From:	To:
AGRALE	Série M	com motor M 70	1977	1981
	Série M	com motor M 80	1977	
	Série M	com motor M 85	1977	
	Série M	com motor M 90	1982	
	Série M	com motor M 93 ID	1982	
	TX1100	com motor D 229-3	1974	1985
	Trator 4100	com motor Agrale M 90 T	1977	
Car Maker:	Vehicle:	Model variation:	From:	To:
GURGEL	Sedan			
	Supermini			
Car Maker:	Vehicle:	Model variation:	From:	To:
MOTOR TIETÊ	RD 900		1992	
	RD 900L		1992	
	RD 950		1992	
	RD 950L		1992	
Car Maker:	Vehicle:	Model variation:	From:	To:
VOLKSWAGEN	Brasília	1.3 com motor BK	1973	1981
	Brasília	1.6 com motor BN	1973	1982
	Fusca	com motor 1300	1970	1979
	Fusca	com motor 1500	1970	1975
	Fusca	com motor 1600	1969	1982
	Gol	1.3 com motor BY	1980	1981
	Karman Ghia	1600	1970	1972

	Passat	1.5 com motor BR	1979	1982
	Passat	1.6	1982	1983
	SP	1600	1970	1980
	SP	1700	1972	1980
	Transporter	1.6 com motor UG	1979	1989
	Transporter	com motor BG	1984	1989
	Variant	1600	1969	1977
	Variant	II 1600	1978	1979
	Voyage	1.5 com motor BR	1981	1982
<b>Car Maker:</b>	<b>Vehicle:</b>	<b>Model variation:</b>	<b>From:</b>	<b>To:</b>
YANMAR	BT	com motor BT 22	1980	1983
	BT	com motor BT 33	1980	1983
	Microtrator	C11		
	Microtrator	TC11 Super		

### Original Code:

#### BOSCH

---

- 0.331.303.003
- 0.331.303.007
- 0.331.303.010
- 0.331.303.015
- 0.331.303.040
- 0.331.303.503
- 9.330.081.039

### Starter Code:

#### BOSCH

---

- 0.001.208.200
- 0.001.208.201
- 0.001.208.208
- 0.001.211.213
- 0.001.211.214
- 0.001.211.216
- 0.001.211.217
- 0.001.211.218
- 0.001.211.219
- 0.001.311.118
- 0.001.311.122
- 0.001.311.136
- 0.001.311.137
- 0.001.314.002
- 0.001.314.018
- 0.001.314.033
- 9.000.082.025
- 9.000.082.028
- 9.000.082.030
- 9.000.082.032
- 9.000.082.034
- 9.000.082.035

- 9.000.082.041
- 9.000.082.042
- 9.000.082.043
- 9.000.082.045
- 9.000.082.046
- 9.000.082.047
- 9.000.082.049
- 9.000.082.051
- 9.000.082.054
- 9.000.082.057
- 9.000.082.060
- 9.000.082.065
- 9.000.082.073

---

Rua Cerâmica Reis, 800 - Brusque - SC - Brasil - CEP 88355-370  
Fone: 55 47 3251-2900 - Fax: 55 47 3251-2980 - [www.zm.com.br](http://www.zm.com.br)  
Insc. Est. 250.976.790 - CNPJ 76.812.379/0001-04

