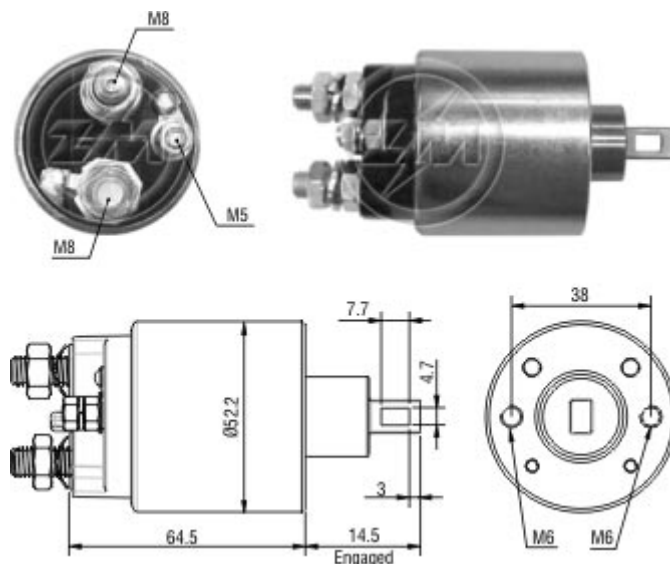




Tecnologia para um mundo sempre em movimento.

Relay Starting ZM 485 12v - CAP ZM 485.96



Used on:

Car Maker:	Vehicle:	Model variation:	From:	To:
CITROËN	BX	1.7 L Turbo com motor diesel	1988	1994
	BX	1.7 L com motor diesel	1985	1993
	BX	1.9 L I	1987	1993
	BX	1.9 L Turbo com motor diesel	1989	1994
	BX	1.9 L com motor diesel	1983	1993
	BX	15	1987	1992
	BX	16	1982	1993
	BX	18 TD com motor Citroën 1769CCM	1989	1993
	BX	19	1984	1992
	BX	19 D	1984	1993
	BX	19 GT	1984	1986
	BX	19 GTI	1986	1992
	BX	19 GTI 16V	1987	1993
	BX	4x4 1.9 L I	1989	1993
	BX	9 GTI 4x4	1989	1993
	Berlingo	600 1.8 L com motor diesel	1996	
	Berlingo	600 1.9 L com motor diesel	1996	
	Berlingo	800 1.8 L com motor diesel	1996	
	Berlingo	800 1.9 L com motor diesel	1996	
	Berlingo	com motor XU7 4 cilindros 1.8		
	Berlingo	with 4 cylinders XU7 1.8 engine		
	C15	1.8L com motor diesel	1985	
	C25	1.9 L com motor diesel	1987	1994
	C5	2.0 HDI com motor Citroën 1997CCM 81KW	2001	

	C5	2.0 HDI com motor Citroën 1998CCM 105KW	2001	
	C5	2.0 com motor Citroën 1998CCM 102KW	2001	
Car Maker:	Vehicle:	Model variation:	From:	To:
PEUGEOT	205	1.6 com motor XU7 4 cilindros		
	205	1.6 with 4 cylinders XU7 engine		
	205	1.9 com motor diesel XUD9 4 cilindros		
	205	1.9 with 4 cylinders XUD9 diesel engine		
	306	1.6 com motor XU7 4 cilindros		
	306	1.6 with 4 cylinders XU7 engine		
	306	1.9 com motor diesel XUD9 4 cilindros		
	306	1.9 with 4 cylinders XUD9 diesel engine		
	405	1.6 com motor XU7 4 cilindros		
	405	1.6 with 4 cylinders XU7 engine		
	405	1.9 com motor diesel XUD9 4 cilindros diesel		
	405	1.9 with 4 cylinders XUD9 diesel engine		
	Boxer	1.9 com motor diesel XUD9 4 cilindros		
	Boxer	1.9 with 4 cylinders XUD9 diesel engine		
	Partner	1.6 com motor XU7 4 cilindros		
	Partner	1.6 with 4 cylinders XU7 engine		

Original Code:

LUCAS INDIEL

- 230690
- 35640690
- K01334

PRESTOLITE INDIEL

- 230690
- 35640690
- K01334

Starter Code:

PRESTOLITE INDIEL

- 35258370
- 35258730

Rua Cerâmica Reis, 800 - Brusque - SC - Brasil - CEP 88355-370
Fone: 55 47 3251-2900 - Fax: 55 47 3251-2980 - www.zm.com.br
Insc. Est. 250.976.790 - CNPJ 76.812.379/0001-04

