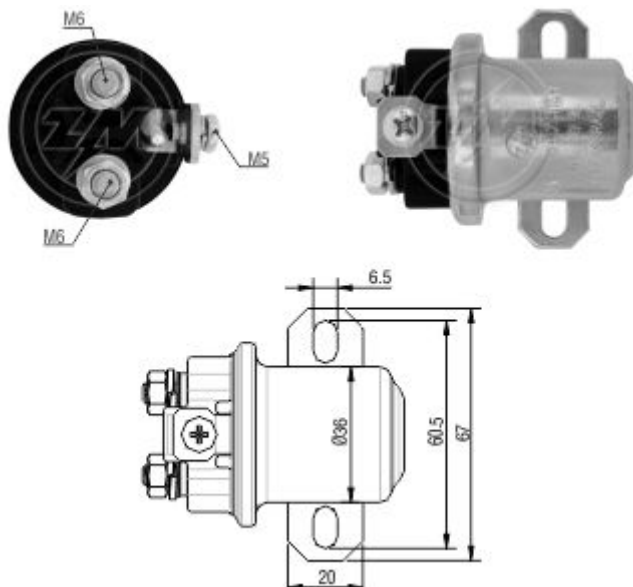




Tecnologia para um mundo sempre em movimento.

Auxiliary Relay Starting ZM 407 12v



Used on:

Car Maker:	Vehicle:	Model variation:	From:	To:
CASE	Trator Magnum	MX220 com motor Cummins 8.3 litros		
	Trator Magnum	MX220 with 8.3 liters Cummins engine		
	Trator Magnum	MX240 com motor Cummins 8.3 litros		
	Trator Magnum	MX240 with 8.3 liters Cummins engine		
	Trator Magnum	MX270 com motor Cummins 8.3 litros		
	Trator Magnum	MX270 with 8.3 liters Cummins engine		
Car Maker:	Vehicle:	Model variation:	From:	To:
CUMMINS	Equipamentos	com motor Série C 8,3 litros		
	Equipamentos	com motor Série ISC 8,3 litros		
	Equipamentos	with C Series 8.3 liters engine		
	Equipamentos	with ISC Series 8.3 liters engine		
Car Maker:	Vehicle:	Model variation:	From:	To:
DELCO REMY	38MT Starter Motor Series			
	Motores de partida 38MT			
Car Maker:	Vehicle:	Model variation:	From:	To:
FORD	7000	with 8.3 liters 504- FD-1460 Cummins engine	1992	1999

	8000	with 8.3 liters 504- FD-1460 Cummins engine	1992	1999
	9000	with 8.3 liters 504- FD-1460 Cummins engine	1992	1999
	F 600	com motor Cummins 504 - FD1460 8.3 litros	1992	1999
	F 600	with 8.3 liters 504- FD-1460 Cummins engine	1992	1999
	F 700	com motor Cummins 504 - FD1460 8.3 litros	1992	1999
	F 700	with 8.3 liters 504- FD-1460 Cummins engine	1992	1999
	F 800	com motor Cummins 504 - FD1460 8.3 litros	1992	1999
	F 800	with 8.3 liters 504- FD-1460 Cummins engine	1992	1999
	F 900	com motor Cummins 504 - FD1460 8.3 litros	1992	1999
	F 900	with 8.3 liters 504- FD-1460 Cummins engine	1992	1999
	L 6000	com motor Cummins 504 - FD1460 8.3 litros	1992	1999
	L 6000	with 8.3 liters 504- FD-1460 Cummins engine	1992	1999
Car Maker:	Vehicle:	Model variation:	From:	To:
FREIGHTLINER	FL 60	com motor Cummins ISC 8.3 litros	1994	2004
	FL 60	with 8.3 liters Cummins ISC engine	1994	2004
	FL 70	com motor Cummins ISC 8.3 litros	1994	2005
	FL 70	with 8.3 liters Cummins ISC engine	1994	2005
	FL 80	com motor Cummins ISC 8.3 litros	1994	2004
	FL 80	with 8.3 liters Cummins ISC engine	1994	2004
	M2 Business Class	com motor Cummins ISC 8.3 litros	2003	2007
	M2 Business Class	with 8.3 liters Cummins ISC engine	2003	2007
Car Maker:	Vehicle:	Model variation:	From:	To:
PETERBILT	Truck	320 com motor Cummins ISC 8.3 litros	1991	2003
	Truck	320 with 8.3 liters Cummins ISC engine	1991	2003
	Truck	330 with 8.3 liters Cummins ISC engine	1996	2007

	Truck	335 with 8.3 liters Cummins ISC engine	2005	2007
	Truck	340 with 8.3 liters Cummins ISC engine	2006	2007
Car Maker:	Vehicle:	Model variation:	From:	To:
STERLING	Acterra	M 5500 with Caterpillar C-7 engine	2004	2007
	Acterra	M 6500 with Caterpillar C-7 engine	2004	2007
	Acterra	M 7500 with Caterpillar C-7 engine	2004	2007
	Acterra	M 8500 with Caterpillar C-7 engine	2004	2007
	L Line	7500 with Caterpillar C-7 engine	2005	2007
	L Line	8000 with Caterpillar C-7 engine	2005	2007
	L Line	8500 with Caterpillar C-7 engine	2005	2007
	L Line	9500 with Caterpillar C-7 engine	2005	2007

Original Code:

DELCO REMY

- 10512096

Starter Code:

DELCO REMY

- 19026027
- 19026028
- 19026029
- 19026031
- 19026035
- 8200005
- 8200007
- 8200023
- 8200025
- 8200075
- 8200076
- 8300005
- 8300021
- 8300022
- 8300026