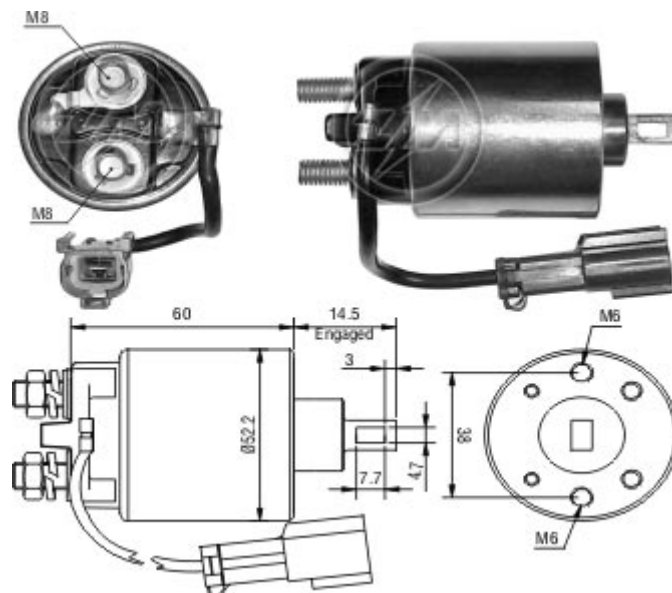




Relay Starting ZM 1-719 12v - CAP ZM 1-719.96



Used on:

Car Maker:	Vehicle:	Model variation:	From:	To:
NISSAN	Maxima	3.0 L	1989	1993
	NX	1.6 L	1991	1992
	Pulsar	1.6 L	1989	1989
	Sentra	1.6 L	1989	1993

Original Code:

HITACHI

- 2114-67605
- 2114-87603

NISSAN

- 23343-84A07

Starter Code:

HITACHI

- S114-461A
- S114-520B
- S114-534
- S114-570B
- S114-767
- S114-775A
- S114-800B
- S114-802A
- S114-862A

Rua Cerâmica Reis, 800 - Brusque - SC - Brasil - CEP 88355-370
Fone: 55 47 3251-2900 - Fax: 55 47 3251-2980 - www.zm.com.br
Insc. Est. 250.976.790 - CNPJ 76.812.379/0001-04

