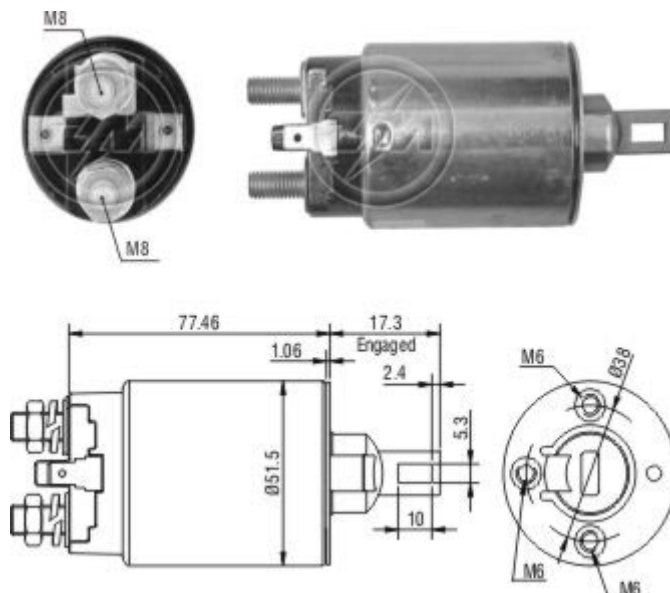




Tecnologia para um mundo sempre em movimento.

Relay Starting ZM 1-691 12v - CAP ZM 697.96



Used on:

Car Maker:	Vehicle:	Model variation:	From:	To:
HYUNDAI	Accent	1.3 with G4E-A engine	2000	
	Accent	1.3i 12V with G4EH engine	1994	2000
	Accent	1.5 with G4EB engine	2000	
	Accent	1.5 with G4EC-G engine	2000	
	Accent	1.5 with G4EH engine	1994	2000
	Accent	1.5i 12V with G4EK engine	1994	2000
	Accent	Saloon 1.3 with G4E-A engine	2000	
	Accent	Saloon 1.3 with G4EH engine	1994	2000
	Accent	Saloon 1.3i 12V with G4EH engine	1994	2000
	Accent	Saloon 1.5 with G4EB engine	2000	
	Accent	Saloon 1.5i 12V with G4EK engine	1994	2000
	Exel	Saloon 1.5i with G15B engine	1990	1995
	Exel	Saloon 1.5i with G4DJ engine	1990	1995
	Lantra	I 1.5i.e. with G15B engine	1990	1995
	Lantra	I 1.5i.e. with G4DJ engine	1990	1995
	Pony	1.3 with G13B engine	1985	1989
	Pony	1.3 with G4DG engine	1989	1995
	Pony	1.5 with G15B engine	1985	1989
	Pony	1.5 with G4DJ engine	1985	1989
	Pony	1.5i with G15B engine	1989	1995
	Pony	1.5i with G4DJ engine	1989	1995
	Pony	Saloon 1.3 with G13B engine	1985	1989
	Pony	Saloon 1.5 with G15B engine	1985	1989

	Pony	Saloon 1.5 with G4DJ engine	1985	1989
	Pony	Saloon 1.5i with G15B engine	1990	1995
	Pony	Saloon 1.5i with G4DJ engine	1990	1995
	S Coupe	1.5i with G15B engine	1990	1996
	S Coupe	1.5i with G4DJ engine	1990	1996
	Stellar	1.6	1983	1991
Car Maker:	Vehicle:	Model variation:	From:	To:
MAZDA	121	II 1.3 16V with B3 (16V) engine	1990	1996
Car Maker:	Vehicle:	Model variation:	From:	To:
MITSUBISHI	L 300	Box 1.6 with 4G32 engine	1980	
	L 300	Bus 1.6 with 4G32 engine	1981	1987
	L 300	Flatbed / Chassis 1.6 with 4G32 engine	1983	1994

Original Code:

MITSUBISHI

- M371X01871

Starter Code:

MITSUBISHI

- M2T52071
- M3T10071
- M3T10471
- M3T10475
- M3T10476
- M3T11174
- M3T21781
- M3T22581
- MEA01-0
- MEA01-1
- MED03-4