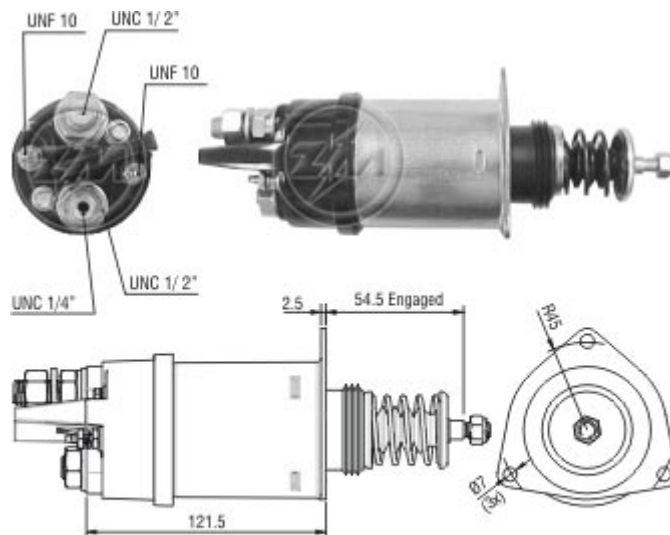




Tecnologia para um mundo sempre em movimento.

## Relay Starting ZM 1-362 24v - CAP ZM 1-362.96



**Note:** Jump-start protection cap.  
Silver contact brazed on contact bolts.  
**Nota:** Barreira de proteção entre os bornes.  
Pastilha de prata soldada nos parafusos de contato.

### Used on:

Car Maker:	Vehicle:	Model variation:	From:	To:
ATLAS COPCO	XAMS355	com motor Cummins		
Car Maker:	Vehicle:	Model variation:	From:	To:
CATERPILLAR	Carregadeira 938F			
	Excavator 322 L	with 3116 Caterpillar diesel engine	1993	1996
Car Maker:	Vehicle:	Model variation:	From:	To:
DELCO REMY	41MT Starter Motor Series			
	42MT Starter Motor Series			
	Motores de partida 41MT			
	Motores de partida 42MT			
Car Maker:	Vehicle:	Model variation:	From:	To:
MERCEDES-BENZ	1632	L	2002	
	1632	LS	2002	
	1634	LS	2002	
	1938	L	2002	
	1938	LS		
	1938	S		
	1944	L	2002	
	2638 L, LS, LK	LK	2002	
	OF 1722		2002	
	OH 1628		2002	
	Plataforma O 400 RSD		2002	

	Plataforma O 400 SRE		2002	
--	----------------------	--	------	--

**Original Code:**

**DELCO REMY**

---

- 1115682

**Starter Code:**

**CATERPILLAR**

---

- 1438434
- 9X9995
- 9Y1945

**DELCO REMY**

---

- 10478961
- 10478969
- 10479013
- 10479172
- 10479292
- 10479310

---

Rua Cerâmica Reis, 800 - Brusque - SC - Brasil - CEP 88355-370  
Fone: 55 47 3251-2900 - Fax: 55 47 3251-2980 - www.zm.com.br  
Insc. Est. 250.976.790 - CNPJ 76.812.379/0001-04

