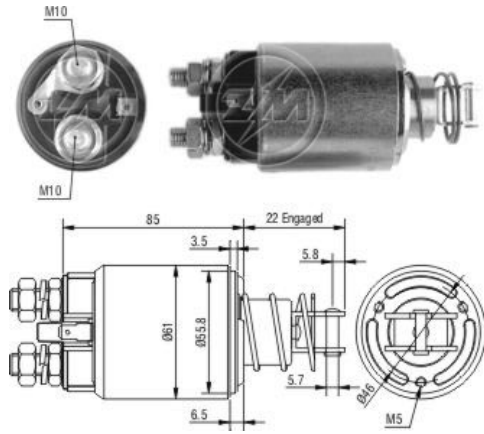


SOLENÓIDE/ SOLENOID SWITCH / SOLENOIDE



Solenóide ZM 657 24v

CAP ZM 655.96

Código Original do Solenóide / Solenoid Original Code / Código Original del Solenoide FIAT:

79036685
7980336
9986109

MARELLI:

636 339 01
636 339 02
636 339 25
636 339 33
855 402 11

Código do Motor / Starter Code / Código del Motor

MARELLI:

632 167 27
632 167 31
632 167 33
632 167 40
632 167 41
632 172 25
632 172 26

Aplicação / Used on / Application

| Montadora / Car Maker | Veículo / Vehicle | Variação do modelo / Model variation: | De / From: | Até / To: |
|------------------------------|--------------------------|--|-------------------|------------------|
| FIAT-IVECO | 100 EC | | 1972 | 1980 |
| | 100 F13 | | 1972 | 1982 |
| | 100 NC | | 1972 | 1982 |
| | 100 NT | | 1972 | 1982 |
| | 100 PC | | 1972 | 1982 |
| | 100-13 | | 1978 | |
| | 109-14 | | 1983 | |
| | 110 | | 1972 | 1982 |
| | 110 NC | | 1972 | 1986 |
| | 110 NR | | 1972 | 1986 |
| | 110 NT | | 1972 | 1986 |
| | 110 PC | | 1972 | 1986 |
| | 110-14 | | 1983 | 1984 |
| | 115-17 | | 1983 | |
| | 120-14 | | 1983 | 1984 |
| | 120.13 | | 1983 | |
| | 135-17 | | 1983 | |
| | 314-3 | | 1967 | 1983 |
| | 315-3 | | 1967 | 1983 |
| | 315-8-13 | | 1978 | 1991 |
| | 315-8-17 | | 1981 | |
| | 316-13 | | 1977 | 1983 |
| | 316-8-13 | | 1980 | |
| | 40 NC | | 1972 | 1977 |
| | 40-35 OM | | 1972 | 1974 |
| | 50 NC | | 1972 | 1977 |
| | 55 NC | | 1972 | 1977 |
| | 616 | | 1969 | 1977 |
| | 616 N 3/4 | | 1971 | 1974 |
| | 65-14 | | 1983 | 1985 |
| | 6640 G | | | |
| | 75 PC | | 1976 | 1982 |
| | 79 F13 | | 1979 | 1982 |
| 79-13 | | 1983 | 1988 | |
| 7914 | | 1983 | 1988 | |
| 80 F13 | | 1972 | 1982 | |
| 80 NC | | 1972 | 1982 | |
| 80 NT | | 1972 | 1982 | |
| 80 PC | | 1972 | 1982 | |
| 80-17 W | | 1982 | | |
| 80.16 | | 1982 | | |
| 90 F13 | | 1972 | 1982 | |
| 90 NC | | 1972 | 1982 | |
| 90 NT | | 1972 | 1982 | |
| 90 PC | | 1976 | 1982 | |
| 90-17 W | | 1987 | | |
| 90.13 | | 1983 | 1985 | |
| 95-14 | | 1983 | 1991 | |
| A 90-13 | | 1983 | 1985 | |
| Lorraine | 170 S, LS, TS | 1988 | 1988 | |
| Montadora / Car Maker | Veículo / Vehicle | Variação do modelo / Model variation: | De / From: | Até / To: |
| FIATALLIS | 560 | | 1985 | |
| | 645 | | 1985 | |
| | 65 B | | 1986 | |
| | DI 130 C | | 1988 | |
| | DI 150 C | | 1988 | |
| | FE 12 | | 1983 | |
| FE 12R | | 1983 | | |

| | | | | |
|----------------------------------|--------------------------|---|-------------------|------------------|
| | FE 14 | | 1985 | |
| | FE 16 | | 1985 | |
| | FL 4C | | 1970 | 1978 |
| | FL 4D | | 1970 | 1978 |
| | FR 7 | | 1985 | |
| | FR 9 | | 1982 | 1987 |
| | TL5 | | 1970 | 1978 |
| Montadora / Car Maker | Veiculo / Vehicle | Varição do modelo / Model variation: | De / From: | Até / To: |
| | | | | |