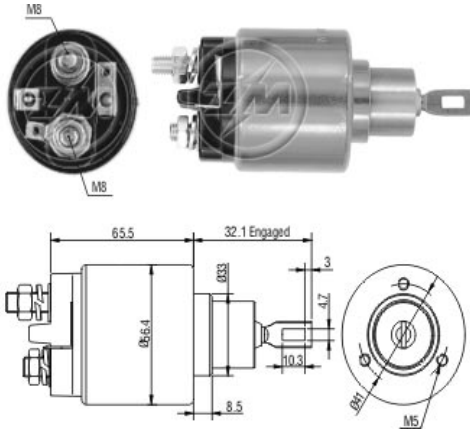


# SOLENÓIDE/ SOLENOID SWITCH / SOLENOIDE

Solenóide ZM 573 12v

CAP ZM 573.91



**Código Original do Solenóide / Solenoid Original Code / Código Original del Solenoide**  
**BOSCH:**

0.331.303.002  
 0.331.303.013  
 0.331.303.024  
 0.331.303.029  
 0.331.303.041  
 0.331.303.059  
 0.331.303.068  
 0.331.303.070  
 0.331.303.071  
 0.331.303.112  
 0.331.303.502  
 2.339.303.232  
 9.330.081.040

**VOLKSWAGEN:**  
 026-911-287

**Código do Motor / Starter Code / Código del Motor**

**BOSCH:**

0.001.107.003  
 0.001.107.007  
 0.001.107.068  
 0.001.108.001  
 0.001.108.005  
 0.001.108.014  
 0.001.108.047  
 0.001.108.048  
 0.001.108.076  
 0.001.108.094  
 0.001.108.101  
 0.001.108.102  
 0.001.108.136  
 0.001.110.001  
 0.001.110.002  
 0.001.110.014  
 0.001.110.015  
 0.001.110.029  
 0.001.110.030  
 0.001.110.031  
 0.001.110.033  
 0.001.110.042  
 0.001.110.061  
 0.001.110.063  
 0.001.110.100  
 0.001.110.101  
 0.001.112.003  
 0.001.112.008  
 0.001.114.003  
 0.001.114.004  
 0.001.114.006  
 0.001.114.009  
 0.001.114.015  
 0.001.114.016  
 0.001.114.024  
 0.001.124.005  
 0.001.124.006  
 0.001.125.001  
 0.001.125.031  
 0.001.208.411  
 0.001.208.412  
 0.001.208.414  
 0.001.208.419  
 0.001.208.516  
 0.001.208.707  
 0.001.208.714  
 0.001.208.719  
 0.001.211.207  
 0.001.211.223  
 0.001.211.224  
 0.001.211.233  
 0.001.211.234  
 0.001.211.235  
 0.001.211.236

**Aplicação / Used on / Aplication**

Montadora / Car Maker	Veiculo / Vehicle	Variação do modelo / Model variation:	De / From:	Até / To:
AUDI	100	2.2 com motor KU	1985	1990
	200	2.2 Turbo com motor KG	1983	1988
Montadora / Car Maker	Veiculo / Vehicle	Variação do modelo / Model variation:	De / From:	Até / To:
FIAT	Tempra	2.0i.e. S.W. com motor 159 A 6.046	1992	1993
	Tipo	2.0i.e. 16V com motor 836 A3.000	1993	1995

		2.0i.e. 16V com motor 836 A3.011	1993	1995
		1.8i.e. com motor 835 C2.000	1993	1995
		2.0i.e. com motor 159 A6.011	1993	1995
<b>Montadora / Car Maker</b>	<b>Veículo / Vehicle</b>	<b>Variação do modelo / Model variation:</b>	<b>De / From:</b>	<b>Até / To:</b>
VOLKSWAGEN	Golf	1.8 com motor ACC	1992	
		1.8 com motor ACC	1990	1991
	Passat	2.0 com motor 2E	1990	1991
<b>Montadora / Car Maker</b>	<b>Veículo / Vehicle</b>	<b>Variação do modelo / Model variation:</b>	<b>De / From:</b>	<b>Até / To:</b>