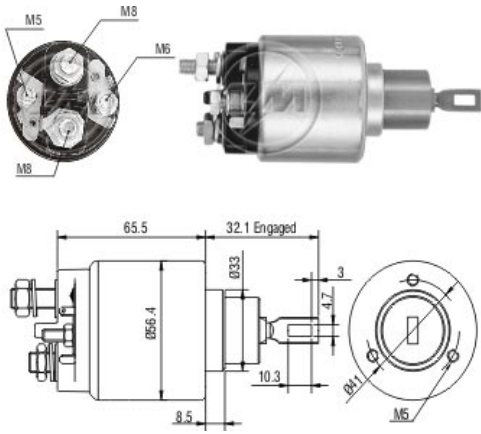


SOLENÓIDE/ SOLENOID SWITCH / SOLENOIDE



Solenóide ZM 475 12v

CAP ZM 475.91

Código Original do Solenóide / Solenoid Original Code / Código Original del Solenoide

BOSCH:
 0.331.303.102
 0.331.303.105
 0.331.303.116
 0.331.303.117
 0.331.303.616
 0.331.303.617
 2.339.303.244
 2.339.303.246

Código do Motor / Starter Code / Código del Motor

BMW:
 12 41 1 711 403
 12 41 1 715 230
 12 41 1 717 174
 12 41 1 717 175
 12 41 1 720 635

BOSCH:
 0.001.108.042
 0.001.108.045
 0.001.108.054
 0.001.108.063
 0.001.108.064
 0.001.108.065
 0.001.108.115
 0.001.108.145
 0.001.110.010
 0.001.110.041
 0.001.218.027
 0.001.218.028
 0.001.218.134
 0.001.218.135
 0.001.218.136
 0.001.311.150
 0.001.311.151
 0.001.314.043
 0.001.314.045

Aplicação / Used on / Aplicacion

| Montadora / Car Maker | Veículo / Vehicle | Variação do modelo / Model variation: | De / From: | Até / To: | |
|---|-------------------|--|--|-----------|------|
| BMW | 3 Series | 316 with M10B18 (2B4) engine | 1982 | 1987 | |
| | | 316 Ecotronic with M10B18 (2BE) engine | 1983 | 1990 | |
| | | 318i with M10B18 (K) engine | 1984 | 1988 | |
| | | 318i with M10B18 (L) engine | 1982 | 1987 | |
| | | 318 tds with M41D18 engine | 1995 | 1998 | |
| | | Touring 318 tds with M41D18 engine | 1995 | 2000 | |
| | 5 Series | 7 Series | Compact 318 tds with M41D18 engine | 1995 | 1999 |
| | | | 520i with M20B20 engine | 1988 | 1991 |
| | | 7 Series | 750i (E32) with M70B50 (50 12 A) engine | 1987 | 1990 |
| | | | 750iL (E32) with M70B50 (50 12 A) engine | 1987 | 1990 |
| | | | 750iL (E38) with M73B54 (54 12 1/2) engine | 1994 | 2001 |
| | | | 750i (E32) with M73B54 (54 12 1/2) engine | 1994 | 2001 |
| 850 Ci (E31) with M73B54 (54 12 1) engine | | | 1994 | 1999 | |
| | 8 Series | 850 CSi (E31) with M73B54 (54 12 1) engine | 1992 | 1996 | |
| | | 850i (E31) with M70B50 (50 12 A) engine | 1989 | 1994 | |
| | | 850Ci (E31) with M70B50 (50 12 A) engine | 1989 | 1994 | |
| Montadora / Car Maker | Veículo / Vehicle | Variação do modelo / Model variation: | De / From: | Até / To: | |
| | | | | | |