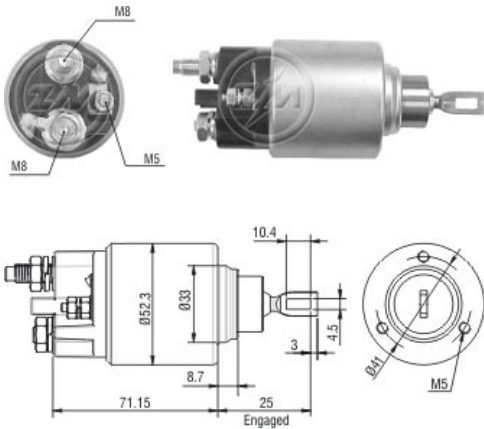


# SOLENOÍDE/ SOLENOID SWITCH / SOLENOIDE



**Solenóide ZM 376 12v**

**CAP ZM 376.91**

**Código Original do Solenóide / Solenoid Original Code / Código Original del Solenoide**

**BOSCH:**  
2.339.304.011  
**FIAT:**  
9949390

**Código do Motor / Starter Code / Código del Motor**

**BOSCH:**  
0.001.107.063  
0.001.108.176  
0.001.109.026

**CITRO:**  
5802E5  
91536044  
96035035  
96054384  
96147592  
96155198  
96343143

**FIAT:**  
9603503580  
9615519880  
9624291380  
9629473280  
9947830

**LANCIA:**  
9629473280  
9947830

**PEUGEOT:**  
5802E5  
96035035  
96054384  
96147592  
96155198  
96343143

Aplicação / Used on / Application

Montadora / Car Maker	Veículo / Vehicle	Variação do modelo / Model variation:	De / From:	Até / To:
CITRO	Berlingo	Box 1.8i with LFX (XU7JB) engine	1999	2002
		1.8i with LFX (XU7JB) engine	1997	
	BX	1.8i 4WD with LFX (XU7JB) engine	1997	
		16 E with BDY (XU5M) engine	1989	1993
		16 E with BDZ (XU5M) engine	1989	1993
		Break 16 with BDZ (XU5M) engine	1989	1994
		Break 16 with BDY (XU5M) engine	1989	1994
	Evasion	1.8 with LFZ (XU7JP) engine	1997	2002
		2.0 with RFU (XU10J2/C) engine	1994	2002
		2.0 16V with RFV (XU10J4R) engine	1998	2000
		2.0 Turbo C.T. with RGX (XU10J2TE) engine	1994	2002
	Jumper	Bus 2.0 with XU10J2 engine	2002	
		Flatbat / Chassis 2.0 with RFW (XU10J2U) engine	1994	2002
		Box 2.0 with RFW (XU10J2U) engine	1994	2002
		Box 2.0 with XU10J2 engine	2002	
		Box 2.0 bivalent	2003	
		Bus 2.0 with RFW (XU10J2U) engine	2004	2002
	Xantia	Bus 2.0 4x4 with RFW (XU10J2U) engine	1996	2002
		1.6i with BFZ (XU5JP) engine	1993	1998
		1.8i with LFX (XU7JB) engine	1997	
		1.8i with LFX (XU7JP) engine	1993	
		1.8i 16V with LFY (XU7JP4) engine	1995	
		2.0i with RFX (XU10J2C) engine	1993	
		2.0i 16V with RFV (XU10J4R) engine	1995	
		2.0i Turbo with RGX (XU10J2TE) engine	1995	
		Break 1.8i with LFX (XU7JB) engine	1997	
		Break 1.8i with LFZ (XU7JP) engine	1995	1998
		Break 1.8i 16V with LFY (XU7JP4) engine	1995	
		Break 2.0i with RFX (XU10J2C) engine	1995	1998
		Break 2.0i 16V with RFV (XU10J4R) engine	1995	
		Break 2.0 Turbo with RGX (XU10J2TE) engine	1995	
	XM	2.0i Turbo with RGY (XU10J2TE/Z) engine	1992	1994
		2.1 D 12V with P9A (XUD11A) engine	1989	1994
		2.1 TD 12V with P8A (XUD11ATE) engine	1989	1994
		2.1 TD 12V with PHZ (XUD11ATE) engine	1989	1994
		2.1 TD 12V with PJZ (XUD11ATE) engine	1989	1994
		2.0i 16V with RFV (XU10J4R) engine	1994	2000
		2.0 Turbo with RGX (XU10J2TE) engine	1994	2000
		Break 2.0i with RFZ (XU10J2) engine	1991	1994
		Break 2.0i with RDZ (XU10M2) engine	1991	1994
		Break 2.0i with XU102C engine	1991	1994
		Break 2.0 Turbo with RGY (XU10J2TE/Z) engine	1992	1994
		Break 2.1 D 12V with P9A (XUD11A) engine	1991	1994
		Break 2.1 TD 12V with P8A (XUD11ATE) engine	1991	1994
		Break 2.1 TD 12V with PHZ (XUD11ATE) engine	1991	1994

		Break 2.1 TD 12V with PJZ (XUD11ATE) engine	1991	1994
		Break 2.0i 16V with RFV (XU10J4R) engine	1994	2000
		Break 2.0 Turbo with RGX (XU10J2TE) engine	1994	2000
		2.0	1989	1994
		2.0i with RFZ (XU10J2) engine	1989	1994
		2.0i with RDZ (XU10MZ) engine	1989	1994
	Xsara	1.8i with LFX (XU7JB) engine	1997	2000
		1.8i 16V with LFY (XU7JP4) engine	1997	2000
		1.8i Aut. with LFZ (XU7JP) engine	1997	2000
		2.0 16V with RFV (XU10J4R) engine	1998	2000
		2.0 16V with RFS (XU10J4RS) engine	1997	2000
		Break 1.8i with LFX (XU7JB) engine	1997	2000
		Break 1.8i 16V with LFY (XU7JP4) engine	1997	2000
		Break 1.8i Aut. with LFZ (XU7JP) engine	1997	2000
		Break 2.0 16V with RFV (XU10J4R) engine	1998	2000
		Coupe 1.8i with LFX (XU7JB) engine	1998	2000
		Coupe 1.8i with LFZ (XU7JP) engine	1998	2000
		Coupe 1.8i 16V with LFY (XU7JP4) engine	1998	2000
		Coupe 2.0i 16V with RFS (XU10J4RS) engine	1998	
	ZX	1.6i with BDY (XU5M) engine	1991	1997
		1.6i with BFZ (XU5JP) engine	1991	1997
		1.8i with LFZ (XU7JP) engine	1992	1997
		1.8i 16V with LFY (XU7JP4) engine	1996	1997
		1.9i with DKZ (XU9JA) engine	1991	1997
		2.0i with RFX (XU10J2C) engine	1992	1997
		Break 1.6i with BDY (XU5M) engine	1993	1997
		Break 1.6i with BFZ (XU5JP) engine	1993	1997
		Break 1.8i with LFZ (XU7JP) engine	1993	1997
		Break 1.8i 16V with LFY (XU7JP4) engine	1996	1998
<b>Montadora / Car Maker</b>	<b>Veiculo / Vehicle</b>	<b>Variação do modelo / Model variation:</b>	<b>De / From:</b>	<b>Até / To:</b>
FIAT	Ducato	Bus 2.0 Bipower	2002	
		Flatbad / Chassis 2.0 with RFW engine	1998	2002
		Flatbad / Chassis 2.0 4x4 with RFW engine	1998	2002
		Box 2.0 with RFW engine	1994	2002
		Box 2.0 with RFL engine	2002	
		Box 2.0	2002	
		Box 2.0 Bipower	2002	
		Bus 2.0 Panorama / Combinato with RFW engine	1994	2002
		Bus 2.0 with RFL engine	2002	
	Ulysse	1.8 with LFW engine	1997	2002
		1.9 TD with DHX (XUD9TF/L) engine	1995	2002
		2.0 with RFU (XU10J2C) engine	1994	2002
		2.0 16V with RFV engine	1998	2000
		2.0 Turbo with RGX (XU10J2CTE) engine	1994	2002
<b>Montadora / Car Maker</b>	<b>Veiculo / Vehicle</b>	<b>Variação do modelo / Model variation:</b>	<b>De / From:</b>	<b>Até / To:</b>
LANCIA	Phedra	2.0 JTD with RHM engine	2003	
		2.0 JTD with RHW (DW10ATED4) engine	2002	
		2.2 JTD with 4HW (DW10ATED4) engine	2002	
	Zeta	2.0 JTD with RHW engine	1999	2002
		2.0 JTD with RHZ engine	1999	2002
		2.0 Turbo with RZX engine	1995	2002
		2.1 TD with P8C engine	1996	1999
<b>Montadora / Car Maker</b>	<b>Veiculo / Vehicle</b>	<b>Variação do modelo / Model variation:</b>	<b>De / From:</b>	<b>Até / To:</b>
PEUGEOT	205	I Convertible 1.9 CT1 with DFZ (XU9J1) engine	1987	1994
		II 1.6 with B1E (XU51C) engine	1987	1994
		II 1.6 Aut. with BDY (XU5M2Z) engine	1990	1998
		II 1.6 Aut. with BDY (XU5M3Z) engine	1990	1998
		II 1.9 GTI with DKZ (XU9JAZ) engine	1987	1998
		II 1.9 GTI Cat with DFZ (XU9J1) engine	1987	1994
		I Convertible 1.6 CJ with BDY (XU5M3Z) engine	1992	1999
	306	1.8 16V with LFY (XU7JP4) engine	1997	
		1.8 ST with LFZ (XU7JP) engine	1994	
		2.0 with RFZ (XU10J4R) engine	1997	
		2.0 ST with RFX (XU10J2) engine	1994	
		Break 1.8 with LFZ (XU7JP) engine	1997	
		Break 1.8 16V with LFY (XU7JP4) engine	1997	
		Convertible 1.8 with LFZ (XU7JP) engine	1994	
		Convertible 1.8 16V with LFY (XU7JP4) engine	2000	
		Convertible 2.0 with RFX (XU10J2) engine	1994	
		Convertible 2.0 16V with RFV (XU10J4R) engine	1997	
		Hatchback 1.8 with LFZ (XU7JP) engine	1993	
		Hatchback 1.8 16V with LFY (XU7JP4) engine	1997	
		Hatchback 2.0 16V with RFV (XU10J4R) engine	1997	
		Hatchback 2.0 XSi with RFX (XU10J2) engine	1993	
	405	II Break 1.8 with LFZ (XU7JP) engine	1992	1996
		I 1.6 with BDY (XU5M2Z) engine	1987	1992
		II Break 2.0 with RFX (XU10J2) engine	1992	1996
		I 1.6 with B1E (XU51C) engine	1987	1992
		II Break 2.0 4x4 with RFX (XU10J2) engine	1992	1996
		I 1.9 with D2C (XU92C (U-KAT)) engine	1987	1992
		I 1.6 with BDZ (XU5M) engine	1989	1992
		I 1.6 with BAZ (XU5CP) engine	1987	1988
		I Break 1.6 with BDZ (XU5M) engine	1988	1992
		I Break 1.6 with BDY (XU5M3Z) engine	1988	1992
		I Break 1.6 with BDY (XU5M2Z) engine	1988	1992
		I Break 1.6 with B1E (XU51C) engine	1988	1992
		I Break 1.9 with D2C (XU92C (U-KAT)) engine	1988	1992
		II 1.6 with BDY (XU5M2Z) engine	1992	1995
		II 1.6 with BDY (XU5M3Z) engine	1992	1995
		II 1.6 with BDZ (XU5M) engine	1992	1995
		II 1.6 with BFZ (XU5JP) engine	1992	1995

		II 1.8 with LFZ (XU7JP) engine	1992	1995
		II 2.0 with RFX (XU10J2) engine	1992	1995
		II 2.0 4x4 with RFX (XU10J2) engine	1992	1995
		II Break 1.6 with BDY (XU5M2Z) engine	1992	1996
		II Break 1.6 with BDY (XU5M3Z) engine	1992	1996
		II Break 1.6 with BDZ (XU5M) engine	1992	1996
		II Break 1.6 with BFZ (XU5JP) engine	1992	1996
	406	1.6 with BFZ (XU5JP) engine	1995	2004
		1.8 with LFX (XU7JP) engine	1997	2004
		1.8 16V with LFY (XU7JP4) engine	1995	2000
		2.0 16V with RFU (XU10J4R) engine	1995	2004
		2.0 Turbo with RGX (XU10J2TE) engine	1996	2004
		Break 1.8 with LFX (XU7JP) engine	1997	
		Break 1.8 16V with LFY (XU7JP4) engine	1996	2000
		Break 2.0 16V with RFU (XU10J4R) engine	1996	
		Break 2.0 Turbo with RGX (XU10J2TE) engine	1996	
		Coupe 2.0 16V with RFV (XU10J4R) engine	1997	
	605	2.0 with RFZ (XU10J2Z) engine	1990	1999
		2.0 with RSA (XU102C) engine	1989	1999
		2.0 16V with RFV (XU10J4R) engine	1994	1999
		2.0 Turbo with RGY (XU10J2TE) engine	1992	1999
		2.0 Turbo with RGX (XU10J2TE) engine	1991	1999
	806	1.8 with LFW (XU7JP) engine	1995	2002
		2.0 with RFU (XU10J2) engine	1994	2002
		2.0 16V with RFU (XU10J4R) engine	1998	2000
		2.0 Turbo with RGX (XU10J2TE) engine	1994	2002
	Boxer	Box 2.0i with RFW (XU10J2) engine	1994	2002
		Box 2.0	2002	
		Bus 2.0i with RFW (XU10J2) engine	1994	2002
		Bus 2.0i 4x4 with RFW (XU10J2) engine	1996	2002
		Bus 2.0 with RFL (XU10J2U) engine	2002	
		Flatbad / Chassis 2.0i with RFW (XU10J2) engine	1994	2002
	Partner	CombiSpace 1.8 with LFX (XU7JB) engine	1997	
<b>Montadora / Car Maker</b>	<b>Veiculo / Vehicle</b>	<b>Variação do modelo / Model variation:</b>	<b>De / From:</b>	<b>Até / To:</b>