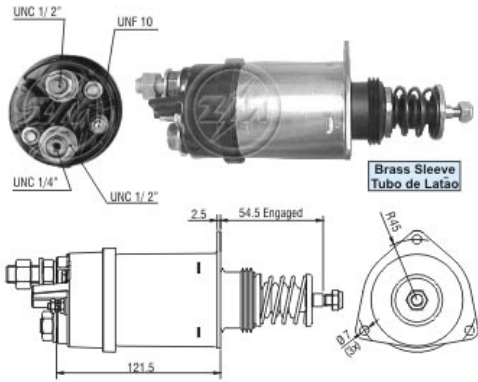


SOLENOÍDE/ SOLENOID SWITCH / SOLENOIDE

Solenóide ZM 352 12v

CAP ZM 452.96



Note: Similar to ZM 452 with plunger assembly.
Similar to ZM 7-352 with brass sleeve.
Nota: Similar ao ZM 452 com êmbolo montado.
Similar ao ZM 7-352 com tubo de latão.

Código Original do Solenóide / Solenoid Original Code / Código Original del Solenoide

DELCO REMY:
1115689

Código do Motor / Starter Code / Código del Motor

DELCO REMY:

10478806
10478831
10479036
10479068
10479174
1990309
1990310
1990313
1990315
1990316
1990317
1990320
1990498
1993705
1993713
1993736
1993737
1993738
1993754
1993755
1993756
1993759
1993761
1993762
1993763
1993764
1993765
1993768
1993769
1993770
1993778
1993787
1993789
1993794
1993817
1993819
1993832
1993837
1993850
1993853
1993855
1993865
1993869
1993871
1993873
1993874
1993878
1993879
1993880
1993881
1993883
1993884
1993885
1993886
1993887
1993898
1993928
1993931
1993950
1993951
1993963
1993964
1993979
1993994

Aplicação / Used on / Application

Montadora / Car Maker	Veículo / Vehicle	Variação do modelo / Model variation:	De / From:	Até / To:
CATERPILLAR	3114			
	3116			
	3176			
Montadora / Car Maker	Veículo / Vehicle	Variação do modelo / Model variation:	De / From:	Até / To:
DELCO REMY	37MT Starter Motor Series			
	Motores de partida 37MT			
Montadora / Car Maker	Veículo / Vehicle	Variação do modelo / Model variation:	De / From:	Até / To:

FORD	Cargo 1622	com motor Cummins 6CTAA 8.3 litros		
	Cargo 1630	com motor Cummins 6CTAA 8.3 litros		
	Cargo 2422	com motor Cummins 6CTAA 8.3 litros		
	Cargo 2425	com motor Cummins 6CTAA 8.3 litros		
	Cargo 2622	com motor Cummins 6CTAA 8.3 litros		
	Cargo 2626	com motor Cummins 6CTAA 8.3 litros		
	Cargo 2630	com motor Cummins 6CTAA 8.3 litros		
	Cargo 2631	com motor Cummins 6CTAA 8.3 litros		
	Cargo 3222	com motor Cummins 6CTAA 8.3 litros		
	Cargo 3240	com motor Cummins 6CTAA 8.3 litros		
	Heavy-Duty Trucks 600 series	with 8.3 liters Cummins engine	1993	1994
		with Ford FD-1460 engine	1993	1994
	Heavy-Duty Trucks 700 series	with Ford FD-1460 engine	1993	1995
		with 8.3 liters Cummins engine	1993	1995
	Heavy-Duty Trucks 7000 series	with 8.3 liters Cummins engine	1993	1995
		with Ford FD-1460 engine	1993	1995
	Heavy-Duty Trucks 800 series	with 8.3 liters Cummins engine	1991	1995
		with Ford FD-1460 engine	1993	1995
	Heavy-Duty Trucks 8000 series	with 8.3 liters Cummins engine	1992	1995
		with Ford FD-1460 engine	1993	1995
	Heavy-Duty Trucks 900 series	with Ford FD-1460 engine	1993	1995
		with 8.3 liters Cummins engine	1993	1995
	Heavy-Duty Trucks 9000 series	with 8.3 liters Cummins engine	1989	1995
		with Ford FD-1460 engine	1993	1995
	Medium Trucks 600 series	with 8.3 liters Cummins engine	1993	1994
		with Ford FD-1460 engine	1993	1994
	Medium Trucks 700 series	with 8.3 liters Cummins engine	1993	1995
		with Ford FD-1460 engine	1993	1995
	Medium Trucks 7000 series	with 8.3 liters Cummins engine	1993	1995
		with Ford FD-1460 engine	1993	1995
	Medium Trucks 800 series	with 8.3 liters Cummins engine	1991	1995
		with Ford FD-1460 engine	1993	1995
	Medium Trucks 8000 series	with 8.3 liters Cummins engine	1992	1995
		with Ford FD-1460 engine	1993	1995
	Medium Trucks 900 series	with 8.3 liters Cummins engine	1993	1995
		with Ford FD-1460 engine	1993	1995
	Medium Trucks 9000 series	with 8.3 liters Cummins engine	1989	1995
		with Ford FD-1460 engine	1993	1995
Montadora / Car Maker	Veículo / Vehicle	Variação do modelo / Model variation:	De / From:	Até / To:
GM-CHEVROLET	Caminh	12.170 com motor Caterpillar 3116		
		12.170 com motor Caterpillar 3126		
		14.190 com motor Caterpillar 3116		
		14.190 com motor Caterpillar 3126		
		15.190 com motor Caterpillar 3116		
		15.190 com motor Caterpillar 3126		
		16.220 com motor Caterpillar 3116		
		16.220 com motor Caterpillar 3126		
Montadora / Car Maker	Veículo / Vehicle	Variação do modelo / Model variation:	De / From:	Até / To:
GMC	Heavy-Duty Trucks C6500	with 6.6 liters 3116 Caterpillar diesel engine	1990	2000
		with 7.2 liters C7 Caterpillar diesel engine	1997	2000
	Heavy-Duty Trucks C70	with 6.6 liters 3116 Caterpillar diesel engine	1990	2000
	Heavy-Duty Trucks C7500	with 7.2 liters C7 Caterpillar diesel engine	1997	2002
		with 6.6 liters 3116 Caterpillar diesel engine	1990	2002
	Heavy-Duty Trucks C80	with 6.6 liters 3116 Caterpillar diesel engine	1990	2000
	Heavy-Duty Trucks C8500	with 7.2 liters C7 Caterpillar diesel engine	1997	2002
		with 6.6 liters 3116 Caterpillar diesel engine	1990	2000
	Medium Trucks C6500	with 6.6 liters 3116 Caterpillar diesel engine	1990	2002
		with 7.2 liters C7 Caterpillar diesel engine	1997	2000
	Medium Trucks C70	with 6.6 liters 3116 Caterpillar diesel engine	1990	2000
	Medium Trucks C7500	with 7.2 liters C7 Caterpillar diesel engine	1997	2002
		with 6.6 liters 3116 Caterpillar diesel engine	1990	2002
	Medium Trucks C80	with 6.6 liters 3116 Caterpillar diesel engine	1990	2000
	Medium Trucks C8500	with 7.2 liters C7 Caterpillar diesel engine	1997	2002
		with 6.6 liters 3116 Caterpillar diesel engine	1990	2000
Montadora / Car Maker	Veículo / Vehicle	Variação do modelo / Model variation:	De / From:	Até / To:
VOLKSWAGEN	17-220	com motor Cummins 6CTAA 8.3 litros		
	17-310	com motor Cummins 6CTAA 8.3 Litros		
	23-210	com motor Cummins 6CTAA 8.3 Litros		
	23-220	com motor Cummins 6CTAA 8.3 litros		
	23-310	com motor Cummins 6CTAA 8.3 Litros		
	26-220	com motor Cummins 6CTAA 8.3 litros		
	26-260	com motor Cummins 6CTAA 8.3 litros		
	26-310	com motor Cummins 6CTAA 8.3 litros		

Montadora / Car Maker	Veículo / Vehicle	Varição do modelo / Model variation:	De / From:	Até / To: