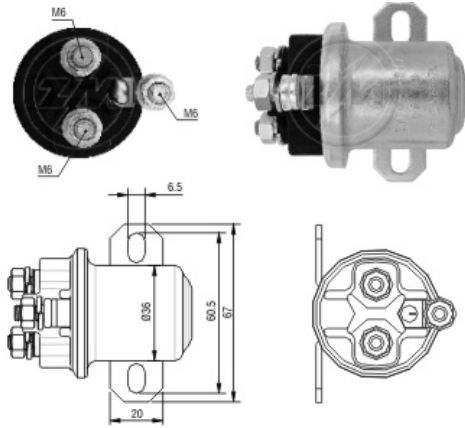


SOLENÓIDE/ SOLENOID SWITCH / SOLENOIDE



Relé auxiliar de partida ZM 3-409 24v

CAP ZM Ñ-intercambia

Código Original do Solenóide / Solenoid Original Code / Código Original del Solenoide

DELCO REMY:
10514696
10515814
10518784

Código do Motor / Starter Code / Código del Motor

DAIMLER CHRYSLER:
A 3 761 510 301
DELCO REMY:
8200004
8200054
8200064
8200065
8200138
8200296
8200297
MERCEDES-BENZ:
A 3 761 510 301

Aplicação / Used on / Aplicacion

Montadora / Car Maker	Veículo / Vehicle	Variação do modelo / Model variation:	De / From:Até / To:
CASE	Grader 845	with 4 cylinders Cummins B engine	
		with 6 cylinders Cummins B engine	
	Grader 845.2	with 4 cylinders Cummins B engine	
		with 6 cylinders Cummins B engine	
	Motoniveladora 845	com motor Cummins B 6 cilindros	
		com motor Cummins B 4 cilindros	
	Motoniveladora 845.2	com motor Cummins B 6 cilindros	
		com motor Cummins B 4 cilindros	
	PCarregadeira 521D	com motor Cummins B 6 cilindros	
		com motor Cummins B 4 cilindros	
	W 20	com motor Cummins B 4 cilindros	
		com motor Cummins B 6 cilindros	
Wheel Loader 521D	with 4 cylinders Cummins B engine		
	with 6 cylinders Cummins B engine		
Wheel Loader 621D	with 4 cylinders Cummins B engine		
	with 6 cylinders Cummins B engine		
Wheel Loader W130	with 4 cylinders Cummins B engine		
	with 6 cylinders Cummins B engine		
Montadora / Car Maker	Veículo / Vehicle	Variação do modelo / Model variation:	De / From:Até / To:
DELCO REMY	29MT Starter Motor Series		
		Motores de partida 29MT	
Montadora / Car Maker	Veículo / Vehicle	Variação do modelo / Model variation:	De / From:Até / To:
FIATALLIS	Grader FG 140.2	with 4 cylinders Cummins B engine	
		with 6 cylinders Cummins B engine	
	PCarregadeira FG 140.2	com motor Cummins B 4 cilindros	
com motor Cummins B 6 cilindros			
Montadora / Car Maker	Veículo / Vehicle	Variação do modelo / Model variation:	De / From:Até / To:
MERCEDES-BENZ	1215	com motor elétrico 24v.	
		with 24V electronic engine	
		L with 24V electronic OM 924 engine	
		L with 24V electronic OM 926 engine	
		EL com motor OM 904 elétrico 24V	
		EL com motor OM 906 elétrico 24V	
		L com motor OM 904 elétrico 24V	
		L com motor OM 906 elétrico 24V	
		EL com motor OM 924 elétrico 24V	
		EL com motor OM 926 elétrico 24V	
	1418	EL with 24V electronic OM 904 engine	
		EL with 24V electronic OM 906 engine	
		EL with 24V electronic OM 924 engine	
		EL with 24V electronic OM 926 engine	
		L com motor OM 924 elétrico 24V	
		L com motor OM 926 elétrico 24V	
		L with 24V electronic OM 904 engine	
		L with 24V electronic OM 906 engine	
		L com motor OM 904 elétrico 24V	
		L com motor OM 906 elétrico 24V	
EL com motor OM 906 elétrico 24V			
EL com motor OM 904 elétrico 24V			
EL com motor OM 924 elétrico 24V			
EL com motor OM 926 elétrico 24V			
EL with 24V electronic OM 904 engine			
EL with 24V electronic OM 906 engine			
EL with 24V electronic OM 924 engine			

		EL with 24V electronic OM 926 engine		
		L com motor OM 924 eletrico 24V		
		L com motor OM 926 eletrico 24V		
		L with 24V electronic OM 904 engine		
		L with 24V electronic OM 906 engine		
		L with 24V electronic OM 924 engine		
		L with 24V electronic OM 926 engine		
	1718	com motor OM 924 eletrico 24V		
		com motor OM 904 eletrico 24V		
		com motor OM 906 eletrico 24V		
		com motor OM 926 eletrico 24V		
		with 24V electronic OM 904 engine		
		with 24V electronic OM 906 engine		
		with 24V electronic OM 924 engine		
		with 24V electronic OM 926 engine		
	1720	A com motor OM 366 24V		
		A com motor OM 364 24V		
		A with 24V OM 366 engine		
		A with 24V OM 364 engine		
	1725	com motor OM 904 eletrico 24V		
		com motor OM 906 eletrico 24V		
		com motor OM 924 eletrico 24V		
		com motor OM 926 eletrico 24V		
		with 24V electronic OM 904 engine		
		with 24V electronic OM 906 engine		
		with 24V electronic OM 924 engine		
		with 24V electronic OM 926 engine		
	2423	com motor OM 904 eletrico 24V		
		com motor OM 906 eletrico 24V		
		com motor OM 924 eletrico 24V		
		com motor OM 926 eletrico 24V		
		with 24V electronic OM 904 engine		
		with 24V electronic OM 906 engine		
		with 24V electronic OM 924 engine		
		with 24V electronic OM 926 engine		
	2428	com motor OM 926 eletrico 24V		
		with 24V electronic OM 904 engine		
		with 24V electronic OM 906 engine		
		with 24V electronic OM 926 engine		
		with 24V electronic OM 924 engine		
		com motor OM 904 eletrico 24V		
		com motor OM 906 eletrico 24V		
		com motor OM 924 eletrico 24V		
	712	C com motor OM 904 eletrico 24V		
		C com motor OM 906 eletrico 24V		
		C com motor OM 924 eletrico 24V		
		C with 24V electronic OM 924 engine		
		C com motor OM 926 eletrico 24V		
		C with 24V electronic OM 926 engine		
		C with 24V electronic OM 904 engine		
		C with 24V electronic OM 906 engine		
	715	with 24V electronic OM 924 engine		
		com motor OM 924 eletrico 24V		
		with 24V electronic OM 926 engine		
		com motor OM 926 eletrico 24V		
		com motor OM 904 eletrico 24V		
		com motor OM 906 eletrico 24V		
		with 24V electronic OM 904 engine		
		with 24V electronic OM 906 engine		
	915	C com motor eletrico 24v.		
		C with 24V electronic engine.		
	OF 1721	with 24V OM 364 engine		
		com motor OM 366 24V		
		with 24V OM 366 engine		
		com motor OM 364 24V		
	OH 1420	with 24V OM 364 engine		
		com motor OM 366 24V		
		with 24V OM 366 engine		
	OH 1621L	com motor OM 364 24V		
		with 24V OM 364 engine		
		com motor OM 366 24V		
		with 24V OM 366 engine		
	OH 1623	com motor OM 366 24V		
		with 24V OM 366 engine		
		com motor OM 364 24V		
		with 24V OM 364 engine		
Montadora / Car Maker	Veiculo / Vehicle	Variação do modelo / Model variation:	De / From:	Até / To:
NEW HOLLAND	Grader RG 140.B	with 4 cylinders Cummins B engine		
		with 6 cylinders Cummins B engine		
	Grader RG 170.B	with 4 cylinders Cummins B engine		
		with 6 cylinders Cummins B engine		
	Motoniveladora RG 140.B	com motor Cummins B 6 cilindros		
		com motor Cummins B 4 cilindros		
	Motoniveladora RG 170.B	com motor Cummins B 6 cilindros		
		com motor Cummins B 4 cilindros		
	W130	com motor Cummins B 6 cilindros		
		com motor Cummins B 4 cilindros		
Montadora / Car Maker	Veiculo / Vehicle	Variação do modelo / Model variation:	De / From:	Até / To:

