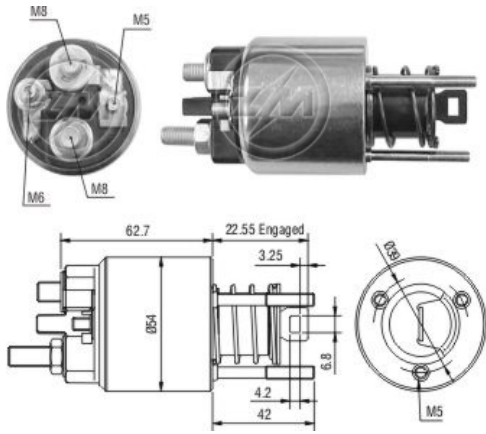


SOLENÓIDE/ SOLENOID SWITCH / SOLENOIDE



Solenóide ZM 2-395 12v

CAP ZM 2-395.91

Código Original do Solenóide / Solenoid Original Code / Código Original del Solenoide

Código do Motor / Starter Code / Código del Motor

BMW:
12 41 1 740 373
7788380

MARELLI:
631 110 06
632 235 37
632 935 37

NIPPONDENSO:
MS428000-0660

Aplicação / Used on / Aplicacion

Montadora / Car Maker	Veículo / Vehicle	Variação do modelo / Model variation:	De / From:	Até / To:
BMW	3 Series	Convertible 323i 2.5 with M52B25 engine	1995	1999
		316i with M42B16 engine	1993	1998
		Touring 316i with M40B16 (Kat.) engine	1991	1994
		Convertible 320i with M52B (20 6 S3) engine	1993	1999
		Coupe 316i with M43B16 engine	1933	1999
		316i with M43B16 engine	1990	1993
		Touring 316i with M43B16 engine	1996	1999
		Convertible 325i with M52B25 engine	1993	1995
		Coupe 325i with M52B25 (vanos) engine	1992	1999
		318i with M43B18 engine	1993	1998
		Touring 318i with M43B18 engine	1995	1999
		Convertible 328i with M52B28 engine	1995	1999
		Coupe 325Ci with M54 (25 6 S5) engine	2000	
		318is with M44B19 engine	1995	1998
		Touring 318i with M43B19 engine	1999	2001
		Convertible 320Ci with M54B22 engine	2000	
		Touring 320i with M54 (22 6 S1) engine	2000	
		320i with M50B (20 6 S1) engine	1990	1998
		Touring 325i with M54 (25 6 S5) engine	2000	
		Convertible 320Ci with M54 (22 6 S1) engine	2000	
		320i with M52B (20 6 S3) (vanos) engine	1990	1998
		Touring 330xi with M54 (30 6 S3) engine	2000	
		Convertible 323Ci with M52B25 engine	2000	2000
		323i 2.5 with M52B25 (vanos) engine	1995	1998
		Coupe 323Ci with M52B25 (vanos) engine	1999	2000
		Convertible 325Ci with M54 (25 6 S5) engine	2000	
		325i with M50B25 engine	1990	1995
		Coupe 330Ci with M54 (30 6 S3) engine	2000	
		Convertible 330Ci with M54 (30 6 S3) engine	2000	
		325i with M52B25 (vanos) engine	1990	1995
		Touring 316i with M40B16 engine	1991	1994
		Coupe 318is with M44B19 engine	1995	1999
		328i with M52B28 engine	1995	1998
		Touring 318i with M40B18 (Kat.) engine	1989	1994
		Coupe 318is with M42B18 engine	1992	1995
		316i with M43B16 (16 4 E3) engine	2000	2005
		Touring 318i with M40B18 engine	1987	1991
		Coupe 320i with M50B (20 6 S1) engine	1992	1999
		320i with M54 (22 6 S1) engine	2000	2005
		Touring 320i with M52B (20 6 S3) engine	1995	1999
		Coupe 320i with M50B (20 6 S2) engine	1992	1999
		330i with M54 (30 6 S3) engine	2000	2005
		Touring 323i 2.5 with M52B25 (vanos) engine	1995	1999
		Coupe 320i with M52B (20 6 S3) engine	1992	1999
		330xi with M54 (30 6 S3) engine	2000	2005
		316 Ecotronic with M10B18 (2BE) engine	1983	1990
		Touring 328i with M52B28 engine	1995	1999
		Coupe 323i 2.5 with M52B25 (vanos) engine	1995	1999
		Compact 316i with M43 (16 4 E3) engine	1998	2000
		316i with M40B16 engine	1988	1991
		Touring 325xi with M54 (25 6 S5) engine	2000	
		Coupe 328i with M52B28 engine	1995	1999
		Compact 316i with M43B16 engine	1994	2000
		316i with M40B16 (Kat.) engine	1987	1991
		Touring 330i with M54 (30 6 S3) engine	2000	
		Coupe 316Ci with M43B16 (16 4 E3) engine	2000	
		Compact 318ti with M44B19 engine	1995	2000
		316 with M10B18 (2B4) engine	1982	1987
		318i with M40B18 (Kat.) engine	1987	1991
		Coupe 318Ci with M42B20 engine	2001	
		Compact 323ti with M52B25 (vanos) engine	1997	2000
		318i with M10B18 (L) engine	1984	1988
		318i with M40B18 engine	1987	1991
		Coupe 318Ci with M43B19 engine	1999	2001
		Compact 325ti with M54 (25 6 S5) engine	2001	
		320i with M50B (20 6 S2) (vanos) engine	1990	1998
		318i with M10B18 (K) engine	1982	1987
		Coupe 320Ci with M54 (22 6 S1) engine	2000	

		Convertible 318i with M40B18 (Kat.) engine	1990	1993
		316i with M43 (16 4 E3) engine	1998	2005
		318i with M10B18 (L, Cat.) engine	1984	1988
		Coupe 320Ci with M52B (20 6 S4) engine	1999	2000
		Convertible 318i with M40B18 engine	1994	1999
		Compact 318ti with M42B18 engine	1994	1995
		318is with M42B18 engine	1989	1991
		Coupe 328Ci with M52B28 engine	1999	2000
		Convertible 320i with M50B (20 6 S2) engine	1993	1999
	5 Series	Touring 518i with M40B18 (Kat.) engine	1993	1994
		Touring 520i with M50B (20 6 S1) engine	1991	1997
		Touring 520i with M50B (20 6 S2) engine	1991	1997
		Touring 525i with M52B25 (vanos) engine	1991	1997
		Touring 525i with M50B25 engine	1991	1997
		525i with M30B25 (L) engine	1981	1987
		Touring 525i X with M50B25 engine	1992	1997
		528i with M30B28 (L) engine	1981	1987
		Touring 525i X with M52B25 (vanos) engine	1992	1997
		518i with M43B18 engine	1989	1995
		Touring 520i with M 54 B 22 engine	2000	2004
		518i with M43B18 (Kat.) engine	1989	1995
		Touring 520i with M52B (206S3) engine	1997	2000
		520i 24V with M50B (20 6 S1) engine	1989	1995
		Touring 520i with M52B (206S4) engine	1997	2000
		520i 24V with M50B (20 6 S2) vanos engine	1989	1995
		Touring 523i with M52B25 (vanos) engine	1997	2000
		525i 24V with M52B25 (vanos) engine	1989	1995
		Touring 525i with M54 (256S5) engine	2000	2004
		525i 24V with M50B25 engine	1989	1995
		Touring 528i with M52B28 engine	1997	2000
		525i X 24V with M52B25 (vanos) engine	1991	1995
		Touring 530i with M54 (306S3) engine	2000	2004
		520i with M54B22 engine	2000	2003
		520i with M52B (20 6 S3) vanos engine	1996	2000
		520i with M52B (20 6 S4) engine	1996	2000
		523i with M52B25 (vanos) engine	1995	2000
		525i with M54 (25 6 S5) engine	2000	2003
		528i with M52B28 engine	1995	2000
		530i with M54 (30 6 S3) engine	2000	2003
		Touring 518i with M43B18 engine	1995	1996
	6 Series	628 CSi with M30B28 (L) engine	1979	1987
	7 Series	728 with M30B28 (4A1) engine	1977	1987
		728i with M30B28 (L) engine	1978	1986
		728i with M52B28 engine	1995	2001
		728iL with M52B28 engine	1995	2001
	Z3	1.9 with M44B19 engine	1995	1999
		2.0 with M52B (20 6 S3) vanos engine	1999	
		2.2 with M54B22 engine	2000	
		2.2 with M54 (22 6 S1) engine	2000	
		2.8 with M52B28 engine	1997	2000
		3.0 with M54 (30 6 S3) engine	2000	
		Coupe 2.8 with M52B28 engine	1997	2000
		Coupe 3.0 with M54 (30 6 S3) engine	2000	
		M 3.2 with S50B32 engine	1997	2001
		1.8 with M43B18 engine	1995	1998
		1.9 with M43 (19 4 E1) engine	1999	
		1.9 with M43B19 engine	1998	
Montadora / Car Maker	Veiculo / Vehicle	Variação do modelo / Model variation:	De / From:	Até / To: