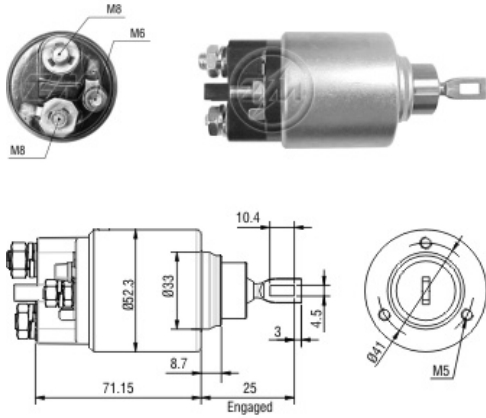


# SOLENÓIDE/ SOLENOID SWITCH / SOLENOIDE



Solenóide ZM 2-371 12v

CAP ZM 2-371.91

**Código Original do Solenóide / Solenoid Original Code / Código Original del Solenoide**  
**BOSCH:**  
 2.339.304.039

**Código do Motor / Starter Code / Código del Motor**  
**BOSCH:**  
 0.001.107.406  
 0.001.115.008  
**MERCEDES-BENZ:**  
 0 051 511 601  
 0 051 513 901

Aplicação / Used on / Aplicacion

Montadora / Car Maker	Veículo / Vehicle	Variação do modelo / Model variation:	De / From:	Até / To:
MERCEDES-BENZ	Classe A (A-Class)	W168 A 160 CDI with OM 668.940 engine	2001	
		W168 A 170 CDI with OM 668.940 engine	1998	2001
		W168 A 170 CDI with OM 668.942 engine	2001	
		W168 A 160 CDI with OM 668.941 engine	1998	2001
	Classe C (C-Class)	T-Model C 180 Kompressor with M 271.946 engine	2002	
		T-Model C 200 Kompressor with M271.940 engine	2002	
		T-Model C 230 Kompressor with M271.948 engine	2004	
		Coupe C 160 Kompressor with M 271.921 engine	2002	
		T-Model C 200 CGI Kompressor w/ M271.942 engine	2003	
		W203 C 180 Kompressor with M 271.946 engine	2002	
		W203 C 200 CGI Kompressor w/ M 271.942 engine	2003	
		W203 C 200 Kompressor with M 271.940 engine	2002	
		W203 C 230 Kompressor with M 271.948 engine	2004	
		Coupe C 180 Kompressor with M 271.946 engine	2002	
	Coupe C 200 CGI Kompressor w/ M271.942 engine	2003		
	Coupe C 200 Kompressor with M 271.940 engine	2002		
	Coupe C 230 Kompressor with M 271.948 engine	2002		
	Classe E (E-Class)	W211 E 200 Kompressor with M 271.941 engine	2002	
		T-Model E 200 Kompressor with M 271.941 engine	2003	
		CLK	200 CGI with M 271.942 engine	2003
		200 Kompressor with M 271.940 engine	2002	
	Convertible 200 CGI with M 271.942 engine	2003		
	Convertible 200 Kompressor with M 271.940 engine	2003		
SLK	R171 200 Kompressor with M 271.944 engine	2004		
Vaneo	1.7 CDI with OM 668.914 engine	2002		
<b>Montadora / Car Maker</b>	<b>Veículo / Vehicle</b>	<b>Variação do modelo / Model variation:</b>	<b>De / From:</b>	<b>Até / To:</b>