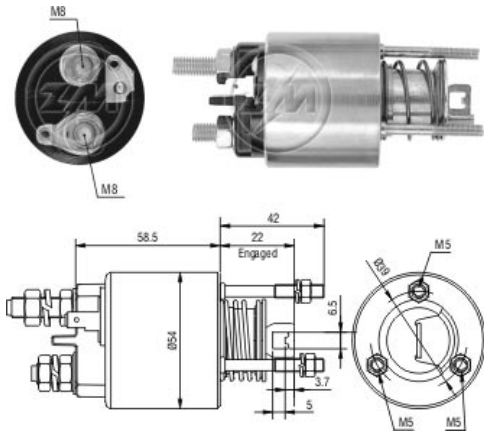


SOLENÓIDE/ SOLENOID SWITCH / SOLENOIDE

Solenóide ZM 1-595 12v

CAP ZM 1-595.96



Código Original do Solenóide / Solenoid Original Code / Código Original del Solenoide

MARELLI:
855 409 61

Código do Motor / Starter Code / Código del Motor

MARELLI:
632 229 00
632 230 85
632 233 03

Aplicação / Used on / Aplicación

Montadora / Car Maker	Veículo / Vehicle	Variação do modelo / Model variation:	De / From:	Até / To:	
FIAT	Punto	Convertible 90 1.6 with 176 A9.000 engine	1994	1997	
		90 1.6 with 176 A9.000 engine	1994	1997	
		1.4 GT Turbo with 176 B6.000 engine	1996	1999	
		1.4 GT Turbo with 176 A4.000 engine	1994	1996	
	Tempra	SW 1.6i.e. with 159 B9.000 engine	1994	1996	
		SW 1.6i.e. with 159 A3.048 engine	1992	1996	
		1.6 with 159 A3.000 engine	1990	1993	
		1.6i.e. with 159 A3.046 engine	1990	1992	
		1.6i.e. with 159 B9.000 engine	1994	1996	
		1.6i.e. with 159 A3.048 engine	1992	1996	
		1.6i.e. with 835 C1.000 engine	1992	1996	
		SW 1.6 with 159 A3.000 engine	1990	1993	
		SW 1.6i.e. with 159 A3.046 engine	1990	1996	
		SW 1.6i.e. with 835 C1.000 engine	1990	1996	
		Tipo	1.6 with 160 A2.000 engine	1988	1991
			1.6i.e. with 159 A3.048 engine	1992	1995
	1.6i.e. with 835 C1.000 engine		1992	1995	
	1.6i.e. with 159 A3.046 engine		1990	1993	
	Uno		1.3 Turbo i.e. with 146 A2.146 engine	1987	1987
			1.3 Turbo i.e. with 146 A2.000 engine	1985	1989
1.3 Turbo i.e. with 146 A2.246 engine			1968	1991	
1.4 Turbo i.e. with 146 A8.000 engine		1989	1996		
	1.4 Turbo i.e. with 146 A8.046 engine	1989	1993		
	70 i.e. 1.4 with 160 A1.046 engine	1989	1993		
	70 S 1.4 with 160 A1.048 engine	1989	1992		
	75 i.e. 1.5 with 138 C2.048 engine	1985	1993		
	75 i.e. 1.5 with 149 C1.000 engine	1985	1993		
Montadora / Car Maker	Veículo / Vehicle	Variação do modelo / Model variation:	De / From:	Até / To:	
LANCIA	Dedra	1.6i.e. with 835 A1.046 engine	1989	1993	
		1.6i.e. with 835 A1.000 engine	1989	1994	
	Delta	1.5 with 831 A 1.000 engine	1979	1992	
		1.5 with 831 B 1.000 engine	1979	1992	
Montadora / Car Maker	Veículo / Vehicle	Variação do modelo / Model variation:	De / From:	Até / To:	