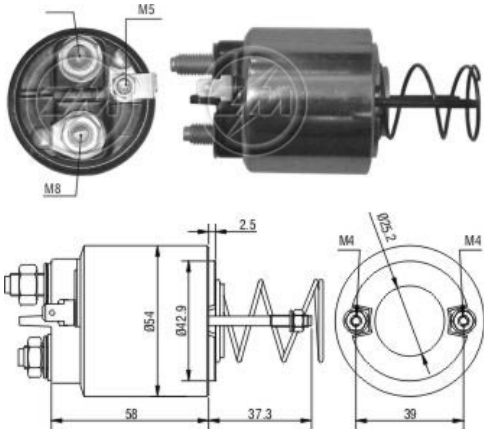


# SOLENÓIDE/ SOLENOID SWITCH / SOLENOIDE



Solenóide ZM 1-492 12v

CAP ZM 492.96

Código Original do Solenóide / Solenoid Original Code / Código Original del Solenoide

PARIS RHONE:

182464

CED518

VALEO:

182464

CED518

Código do Motor / Starter Code / Código del Motor

PARIS RHONE:

D9E36

D9E54

VALEO:

D9E36

D9E54

Aplicação / Used on / Aplicacion

Montadora / Car Maker	Veiculo / Vehicle	Variação do modelo / Model variation:	De / From:	Até / To:	
CITRO	C25	Box 2.0 with 170C (XN1T) engine	1991	1994	
		Box 2.0 E with 170A (XN1T) engine	1981	1994	
		Box 2.0 E with 170B (XN1T) engine	1981	1994	
		Bus 1.8 E with 169 (XM7T) engine	1987	1994	
		Bus 2.0 with 170C (XN1T) engine	1991	1994	
		Bus 2.0 E with 170A (XN1T) engine	1981	1994	
		Bus 2.0 E with 170B (XN1T) engine	1981	1994	
		Flatbed / Chassis 2.0 with 170C (XN1T) engine	1991	1994	
<b>Montadora / Car Maker</b>	<b>Veiculo / Vehicle</b>	<b>Variação do modelo / Model variation:</b>	<b>De / From:</b>	<b>Até / To:</b>	
FIAT	Ducato	Box 1.8 with 169 B engine	1982	1988	
		Box 2.0 with 170 B engine	1985	1990	
		Box 2.0 with XN 1T engine	1982	1990	
		Panorama 2.0 with 170 B engine	1986	1990	
		Box 2.0 with 170 B engine	1989	1994	
	Talento	Bus 2.0 with 170 B engine	1989	1994	
		Flatbed / Chassis 2.0 with 170 B engine	1989	1994	
<b>Montadora / Car Maker</b>	<b>Veiculo / Vehicle</b>	<b>Variação do modelo / Model variation:</b>	<b>De / From:</b>	<b>Até / To:</b>	
PEUGEOT	404	1.6 with XC6 engine	1963	1971	
		504	Break 1.8 with XM7 engine	1971	1986
		Break 2.0 with XN1 engine	1971	1986	
		Convertible 2.0 with 107 (XN2) engine	1982	1984	
		Coupe 2.0 with 107 (XN2) engine	1982	1984	
		Coupe 2.7 with 140 (ZMJ) engine	1977	1984	
		Pick-up 1.6 with XC7P engine	1980	1987	
		Pick-up 1.8 with XM7 engine	1987	1989	
		505	1.8 with 105 (XM7) engine	1982	1985
			2.0 with 106E (XN1A) engine	1985	1991
			2.0 with 106 (XN1) engine	1980	1985
		J 5	Break 2.0 with 106E (XN1A) engine	1985	1987
	Break 2.0 with 106 (XN1) engine		1983	1985	
	Box 1.8 with 169B (XM7T) engine		1983	1988	
	Bus 2.0 with 170 (XN1T) engine		1983	1990	
	Bus 2.0 with 170B (XN1T) engine		1981	1990	
	Bus 2.0 with 170D (XN1TACP) engine		1990		
	Flatbed / Chassis 2.0 with 170B (XN1T) engine		1986	1988	
	Flatbed / Chassis 2.0 with 170 (XN1T) engine		1983	1988	
	Flatbed / Chassis 2.0 with 170D (XN1TACP) engine	1990			
<b>Montadora / Car Maker</b>	<b>Veiculo / Vehicle</b>	<b>Variação do modelo / Model variation:</b>	<b>De / From:</b>	<b>Até / To:</b>	